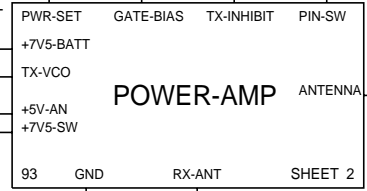
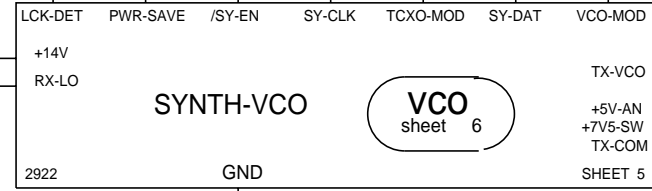
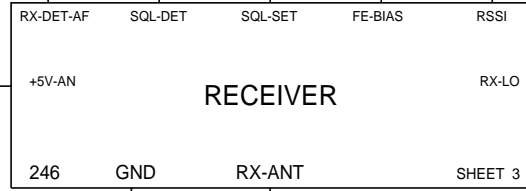
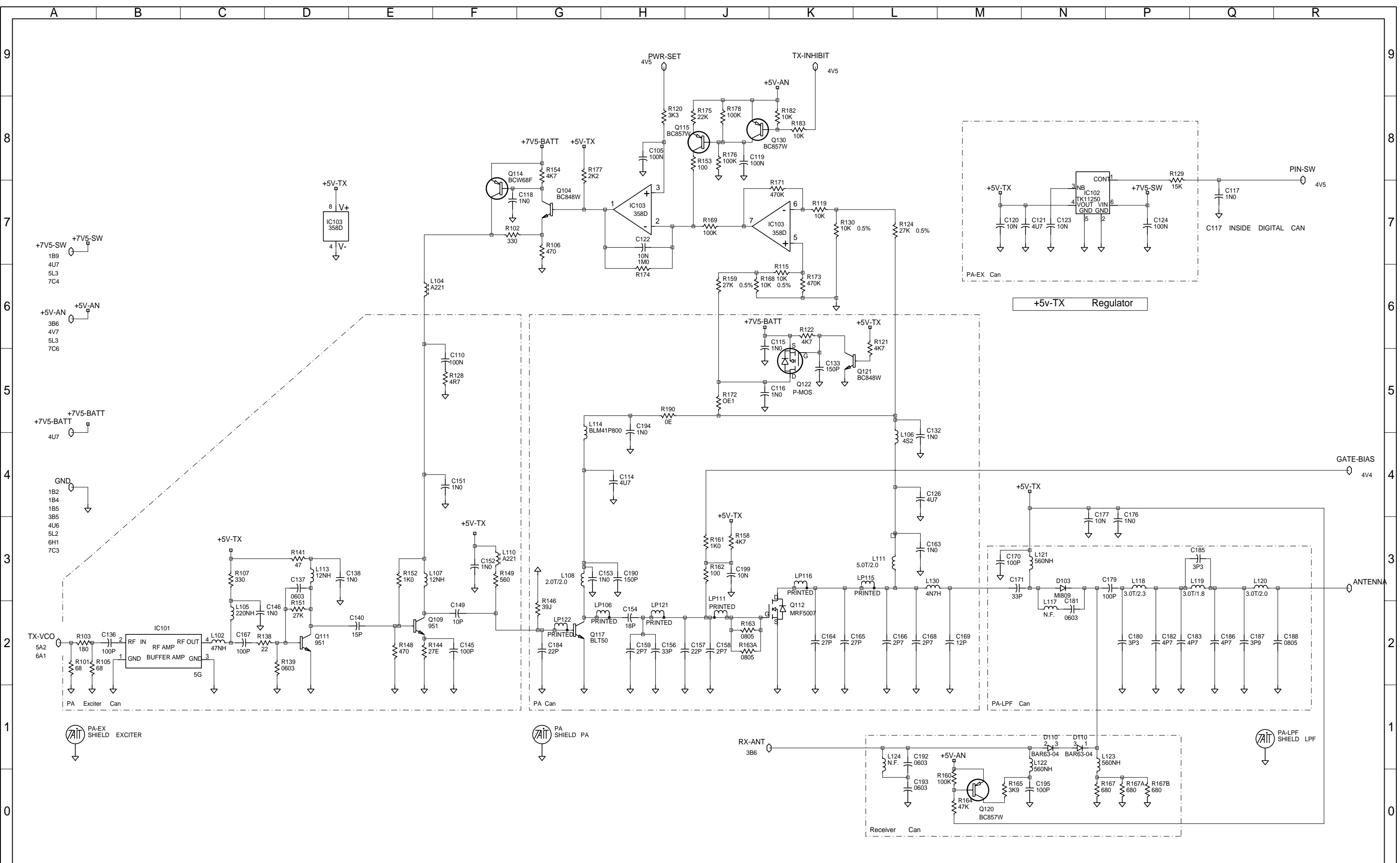


PROCESSOR
252 SHEET 4
DSP AUDIO



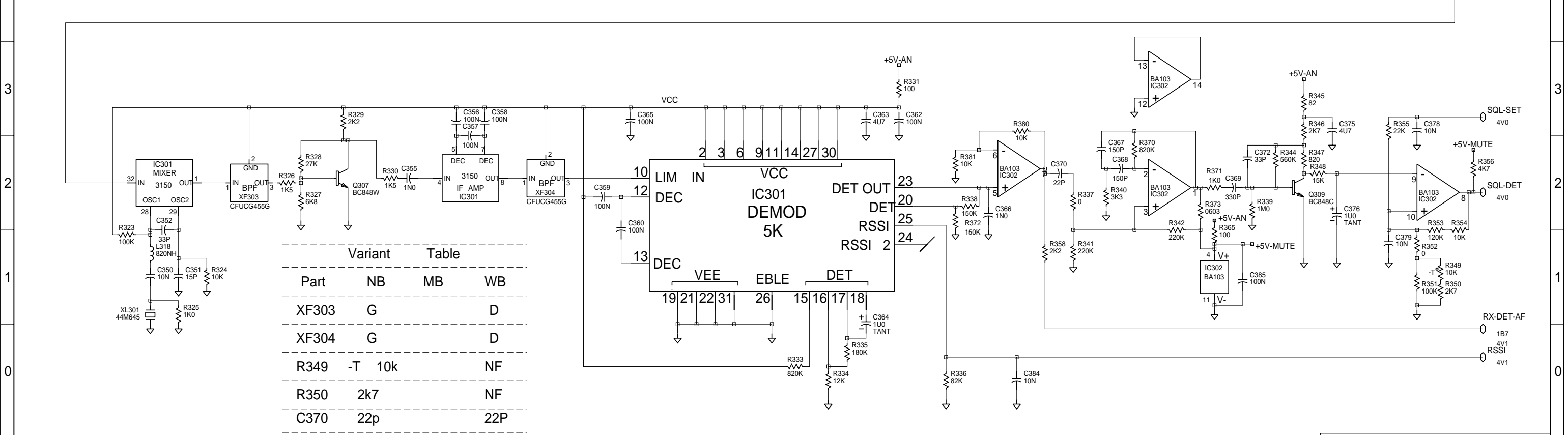
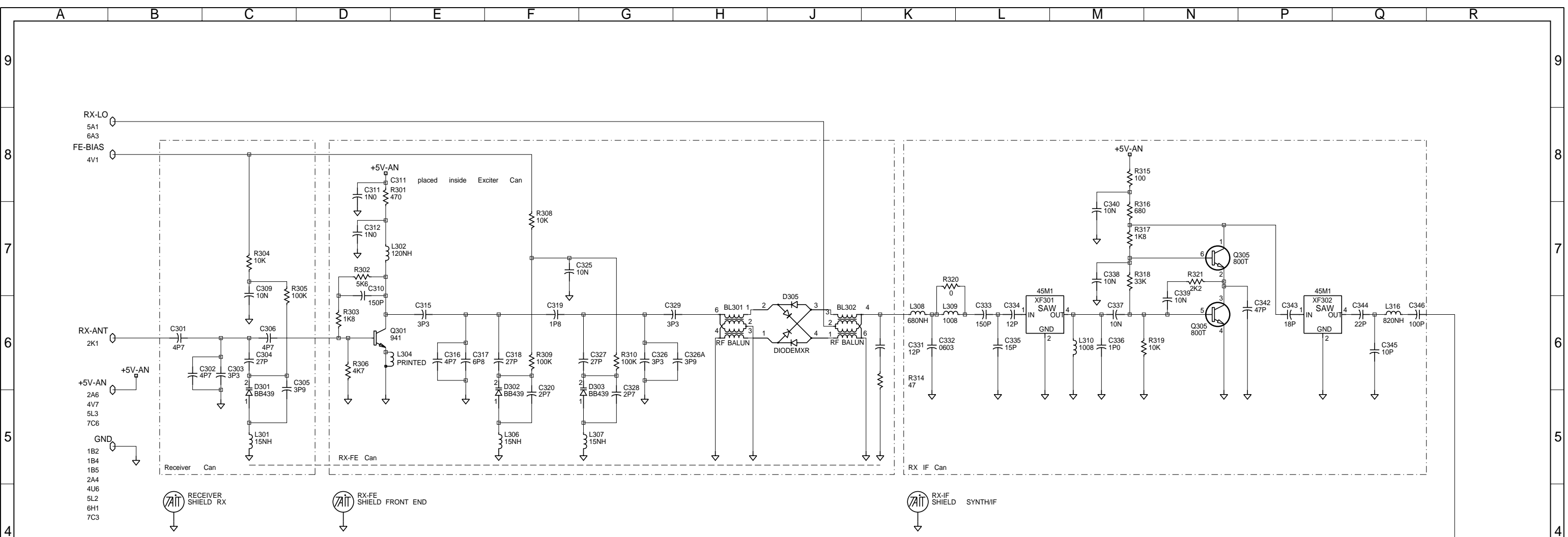
05	MOREUPDATES	DBH				
04	UPDATED AND MOVED AERIAL SOCKET	MAJ				
03 B	UPDATED VALUES ADDED CANS TO PLA	MAJ				
REV/ISS	AMENDMENTS	DRAWN	CHKD	D.O.	APVD	DATE

© **TAIT ELECTRONICS**
 ORCA :TP010-5122 400-470MHZ
 SYSTEM DIAGRAM
 IPN: A ID: 2.S.C. 1
 PROJECT: 220-01392-06 DESIGNER: DBH FILE NAME: 139206A FILE DATE: 3-12-97 NO.SHEETS: 7



© TAIT ELECTRONICS	
ORCA :TP010-5122	400-470MHZ
POWER AMPLIFIER	
IPN: 220-01392-06	ISSUE: A
DESIGNER: DBH	FILE DATE: 3-12-97
PROJECT: ORCA	NO. SHEETS: 7

REV/ISS	AMENDMENTS	DRAWN	CHKD	D.O.	APVD	DATE
A						

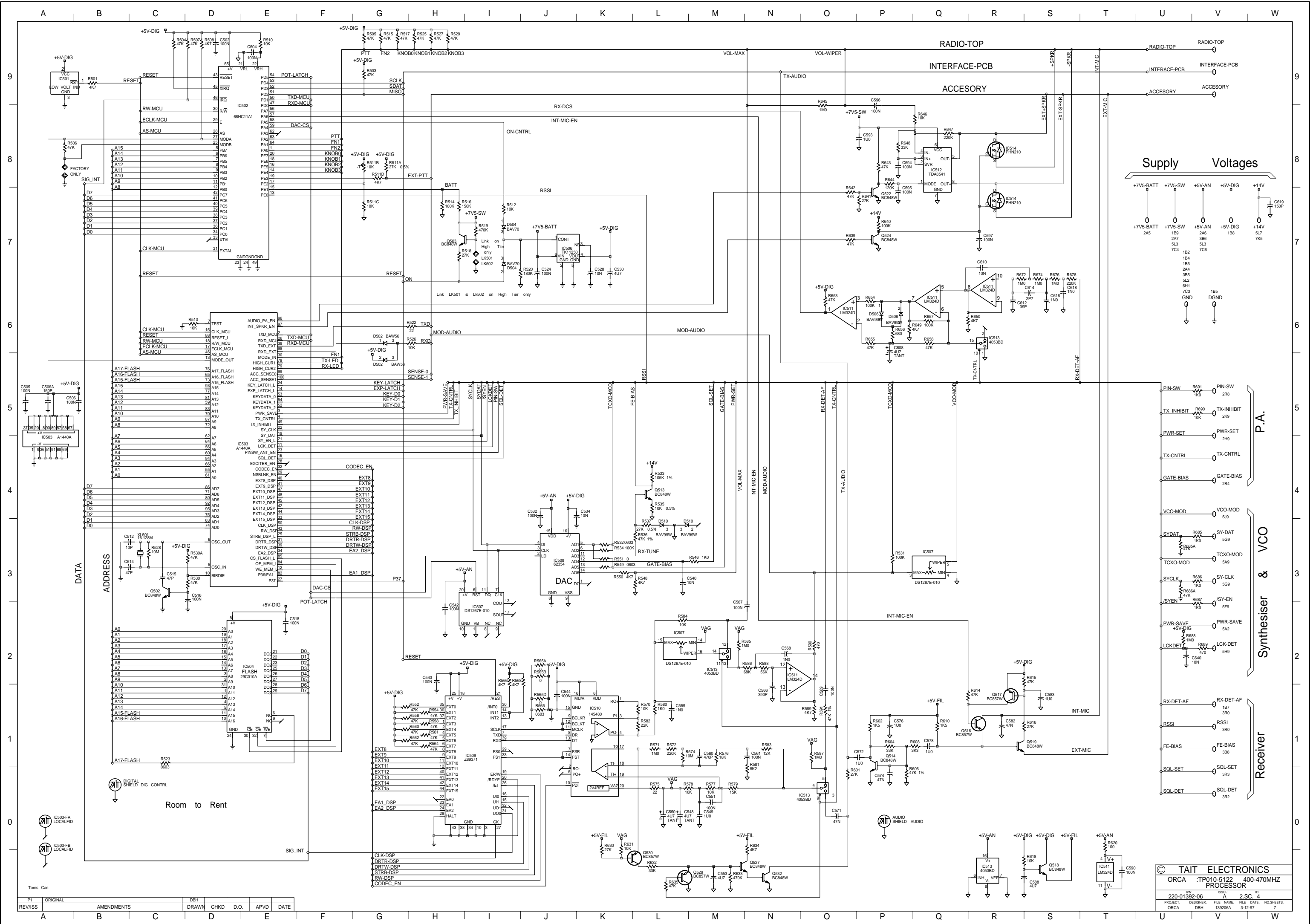


Variant Table

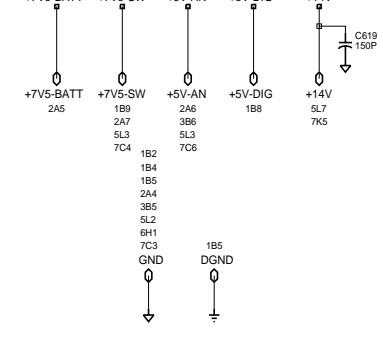
Part	NB	MB	WB
XF303	G		D
XF304	G		D
R349	-T	10k	NF
R350	2k7		NF
C370	22p		22P
C369	330P		330P

© TAIT ELECTRONICS
 ORCA :TP010-5122 400-470MHZ RECEIVER
 IPN: 220-01392-06 ISSUE: A ID: 2.S.C. 3
 PROJECT: ORCA DESIGNER: DBH FILE NAME: 139206A FILE DATE: 3-12-97 NO.SHEETS: 7

REV/ISS	AMENDMENTS	DRAWN	CHKD	D.O.	APVD	DATE
A						



Supply Voltages



- PIN-SW 2R8
- TX-INHIBIT 2K9
- PWR-SET 2H9
- TX-CNTRL 2R4
- GATE-BIAS 2R4
- VCO-MOD 5J9
- SY-DAT 5G9
- TCXO-MOD 5A9
- SY-CLK 5G9
- SY-EN 5F9
- PWR-SAVE 5A2
- LCK-DET 5H9
- RX-DET-AF 1B7
- RSSI 3R0
- FE-BIAS 3B8
- SOL-SET 3R3
- SOL-DET 3R2

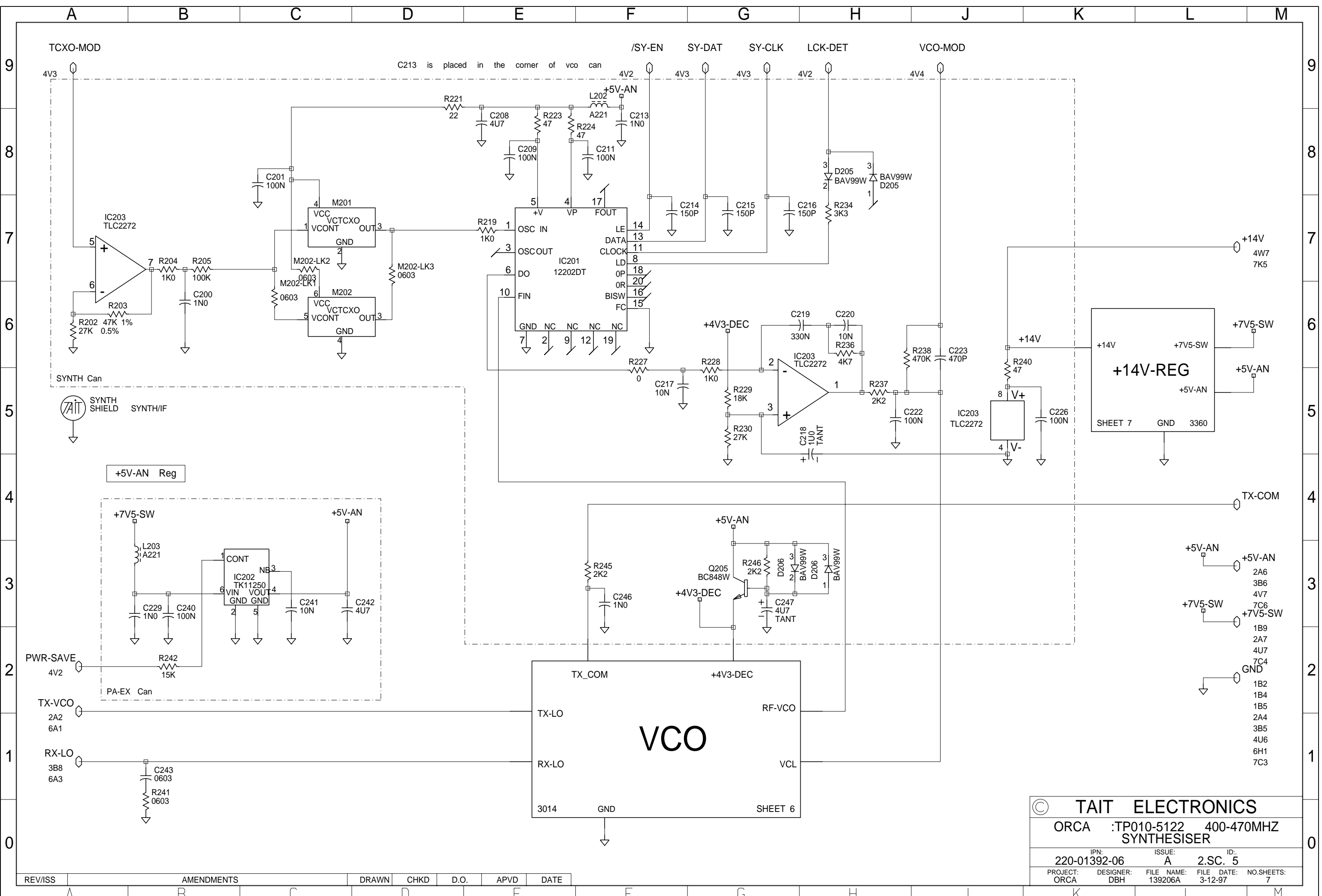
P.A.

Synthesiser & VCO

Receiver

© TAIT ELECTRONICS
 ORCA :TP010-5122 400-470MHZ
 PROCESSOR
 220-01392-06 2.SC. 4
 PROJECT: DESIGNED: FILE NAME: FILE DATE: NO SHEETS
 ORCA DBH 138206A 3-12-97 7

REV/ISS	ORIGINAL	AMENDMENTS	DRAWN	CHKD	D.O.	APV/D	DATE
P1			DBH				



© TAIT ELECTRONICS
 ORCA :TP010-5122 400-470MHZ SYNTHESISER
 IPN: 220-01392-06 ISSUE: A ID: 2.SC. 5
 PROJECT: ORCA DESIGNER: DBH FILE NAME: 139206A FILE DATE: 3-12-97 NO.SHEETS: 7

REV/ISS	AMENDMENTS	DRAWN	CHKD	D.O.	APVD	DATE

VCO
 3014 GND SHEET 6

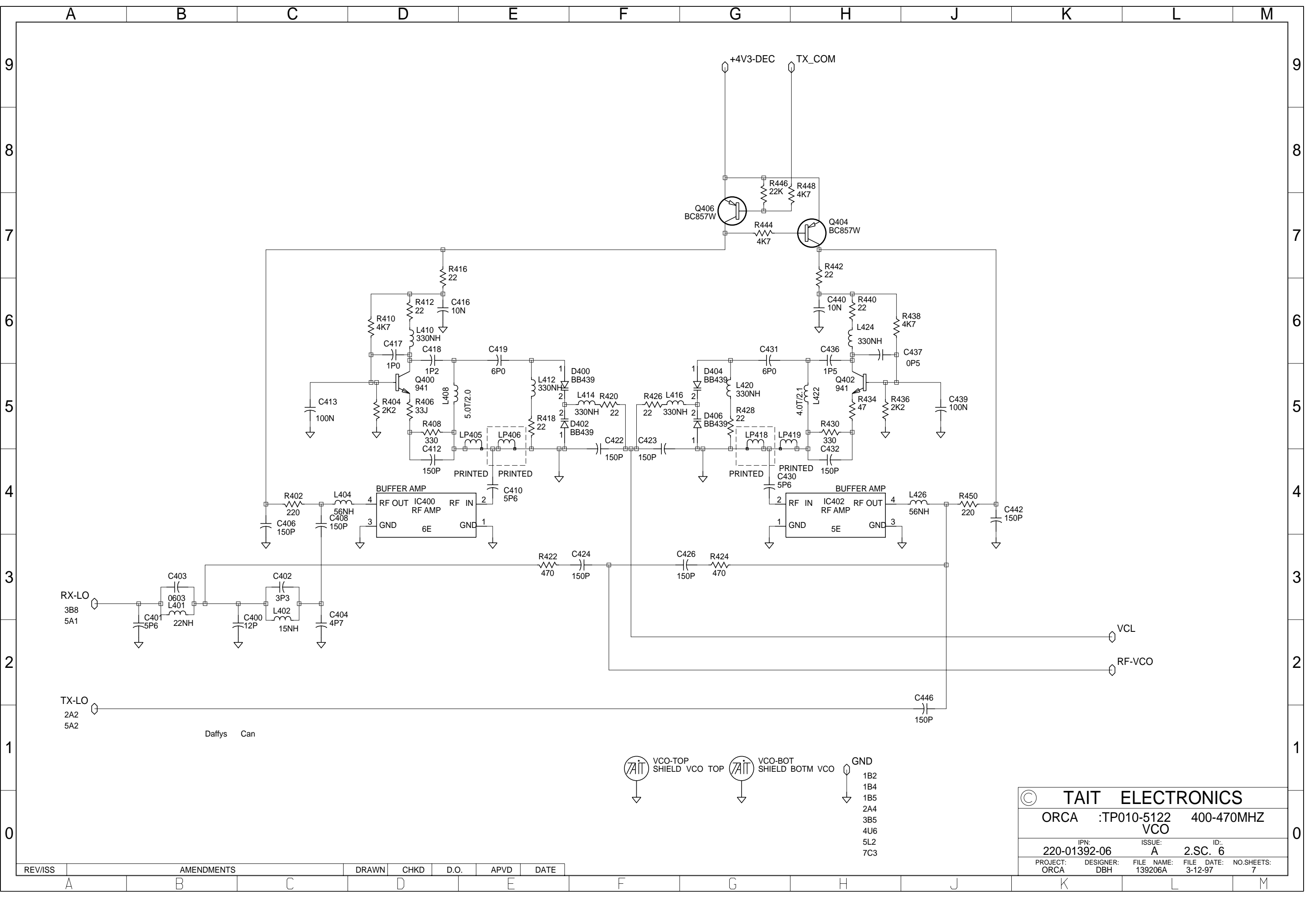
+14V-REG
 SHEET 7 GND 3360

+5V-AN Reg

PA-EX Can

SYNTH Can

- +5V-AN 2A6
- +5V-AN 3B6
- 4V7 4V7
- +7V5-SW 7C6
- +7V5-SW 7C4
- GND 1B9
- 1B2 1B2
- 1B4 1B4
- 1B5 1B5
- 2A4 2A4
- 3B5 3B5
- 4U6 4U6
- 6H1 6H1
- 7C3 7C3



© TAIT ELECTRONICS

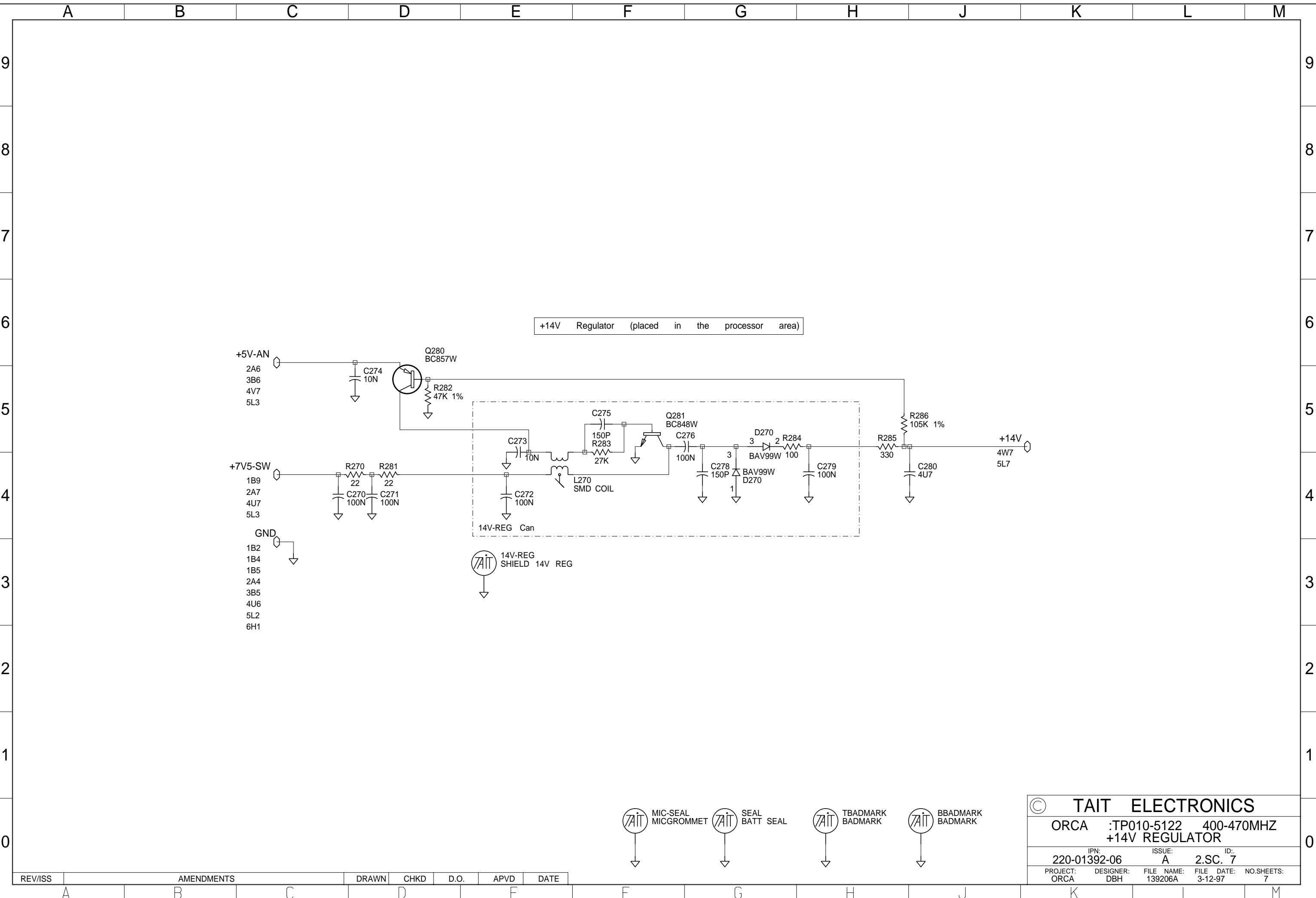
ORCA :TP010-5122 400-470MHZ
VCO

IPN: 220-01392-06 ISSUE: A ID: 2.SC. 6

PROJECT: ORCA DESIGNER: DBH FILE NAME: 139206A FILE DATE: 3-12-97 NO.SHEETS: 7

REV/ISS	AMENDMENTS	DRAWN	CHKD	D.O.	APVD	DATE

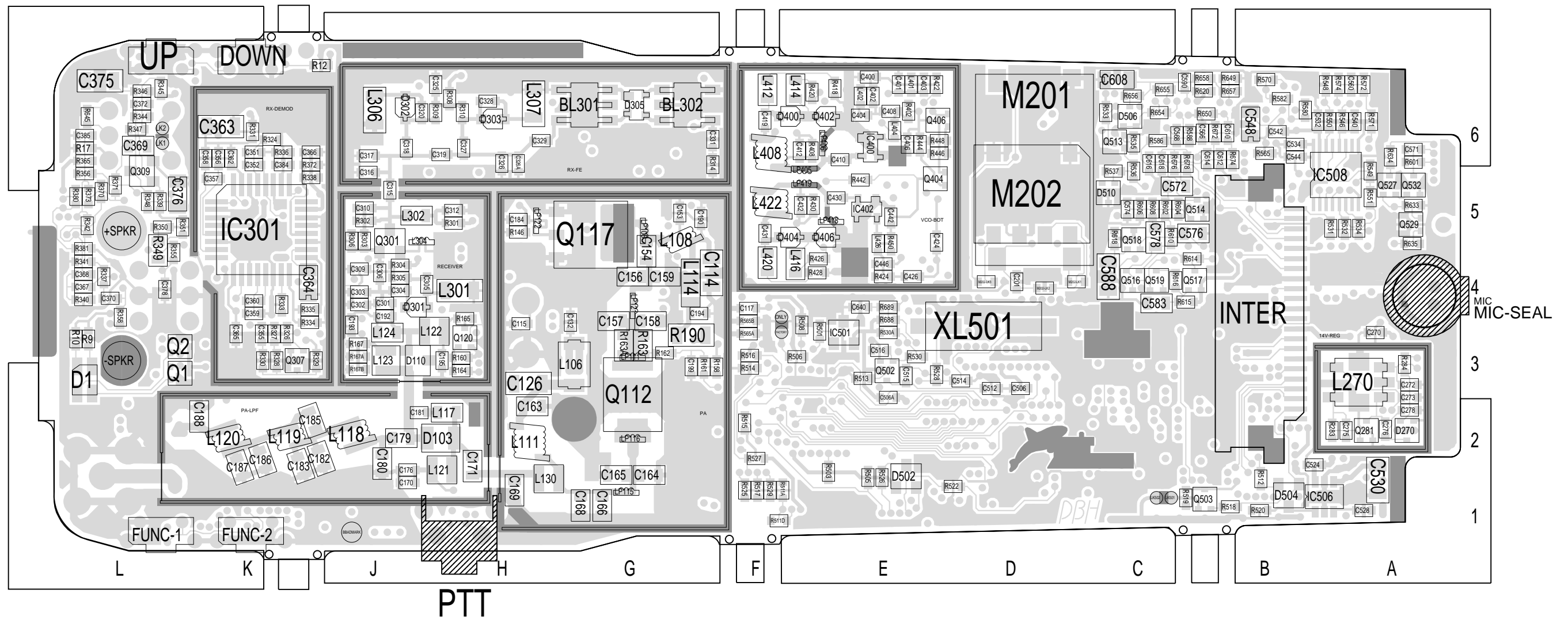
- VCO-TOP SHIELD VCO TOP
- VCO-BOT SHIELD BOTM VCO
- GND
- 1B2
- 1B4
- 1B5
- 2A4
- 3B5
- 4U6
- 5L2
- 7C3



MIC-SEAL MICGROMMET
 SEAL BATT SEAL
 TBADMARK BADMARK
 BBADMARK BADMARK

© TAIT ELECTRONICS				
ORCA		:TP010-5122		400-470MHZ
+14V REGULATOR				
IPN: 220-01392-06		ISSUE: A		ID: 2.SC. 7
PROJECT: ORCA	DESIGNER: DBH	FILE NAME: 139206A	FILE DATE: 3-12-97	NO.SHEETS: 7

REV/ISS	AMENDMENTS	DRAWN	CHKD	D.O.	APVD	DATE
---------	------------	-------	------	------	------	------



TAIT ELECTRONICS IPN: 220-01392-06 ISS: -06A ID: 6.BA DATE: 9 Dec 1997
ORCA UHF PCB LAYOUT - BOTTOM SIDE

Scale: 2.3:1 ; Rotation: 0 degrees